

# PLANO-V5

*Control unit with dimmer function for single colour LEDs with voltage, 12-36 VDC, 1 output max 5A. RX radio 433.92 MHz.*

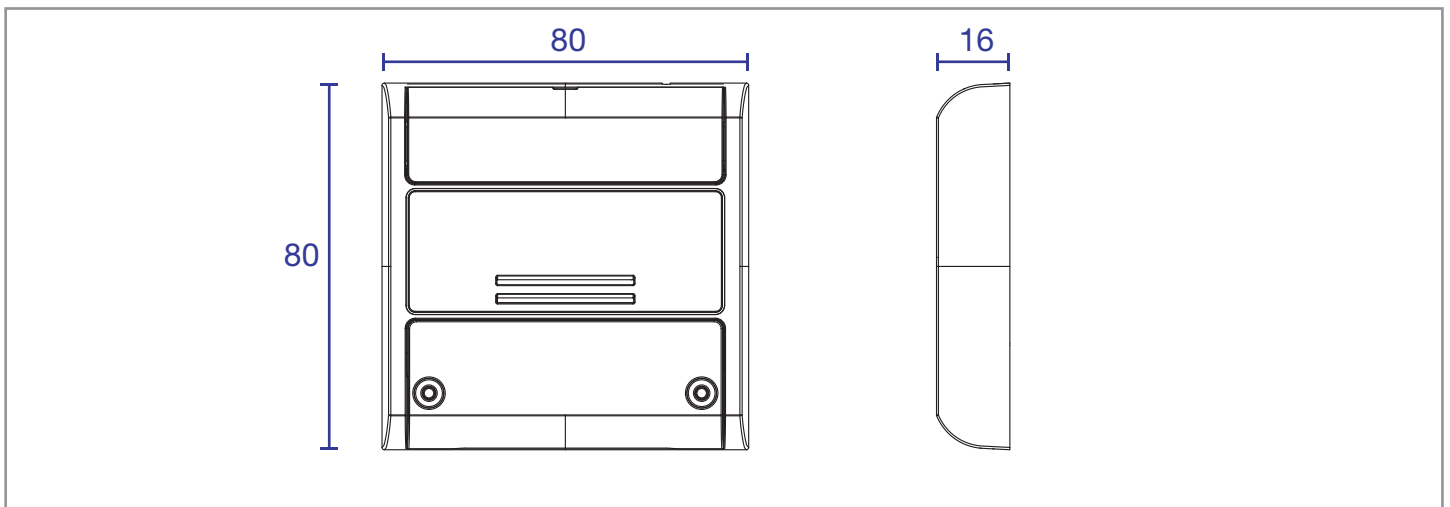
NEXTA  
T E C H



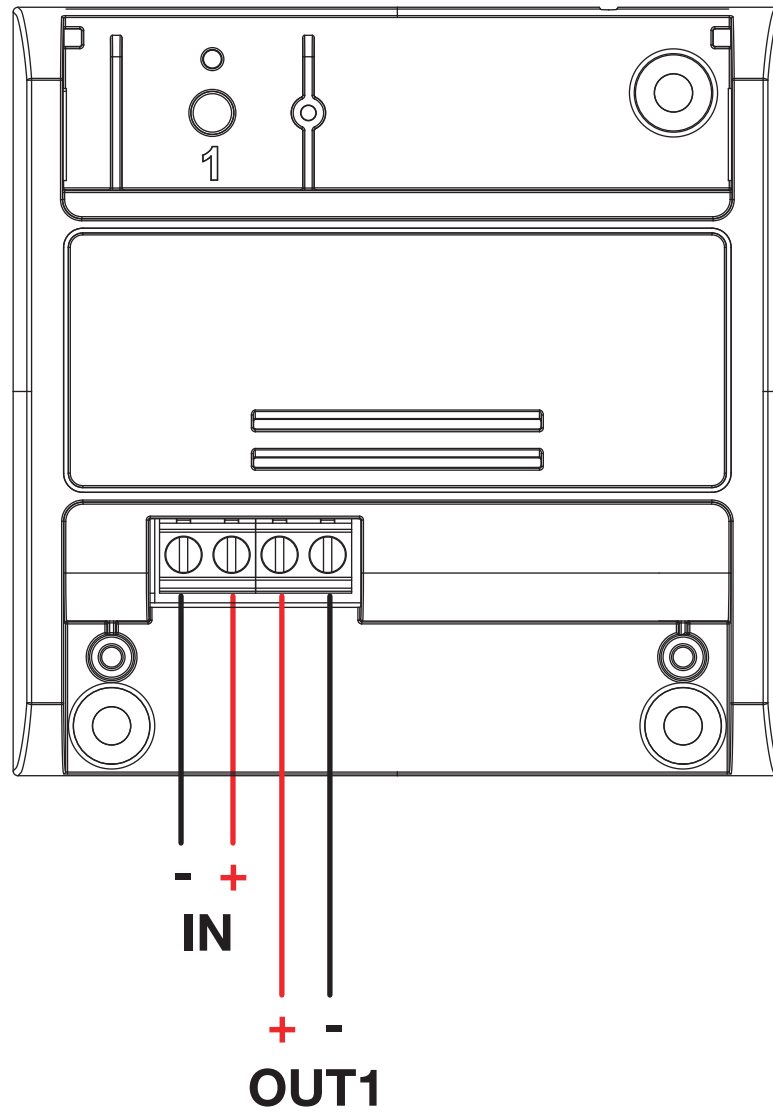
# 1 - PRODUCT FEATURES

## 1.1 TECHNICAL DATA

Power supply	12-24 Vdc
Output	Max load 5A: 60 W (with 12 VDC) per output 120 W (with 24 VDC) per output
Type of load	Single colour LED with constant voltage
N° of programmable transmitters	25
Radio frequency	433.920mhz ISM
Protection rating	IP20
Operating temperature	-20 +55 °C
Dimensions	80x80x16 mm



## 2 - ELECTRICAL CONNECTIONS



# 3 - RADIO PROGRAMMING

This procedure lets you programme compatible multifunctional or generic transmitters.

## MULTIFUNCTIONAL TRANSMITTERS

### CODES:

HB70-SLCT, HB70-SPCT,  
HB80-1C, HB80-1DIM, HB80-2L, HB80-30D, HB80-30RGBW, HB80-4C, HB80-4DIM, HB80-4L,  
HB90-6LT,  
ROUND-1SP,  
SENSA-M, SENSA-P, SENSA-R35M, SENSA-R35P, SENSA-R35T, SENSA-T,  
TOUCH-1, TOUCH-1CCT, TOUCH-1DIM, TOUCH-1SP, TOUCH-1L, TOUCH-1RGBW, TOUCH-3C, TOUCH-4DIM, TOUCH-CFU

With multifunctional transmitters the transmitter control modes depend on the model used. Refer to the transmitter manual, to the paragraph entitled "commands sent by the transmitter", bearing in mind that it is an "dimmer" device.

## GENERIC TRANSMITTERS (WIRELESS BUS)

### CODES:

HB80-6G,  
MCU-TX4,  
TOUCH-1G, TOUCH-2G, TOUCH-4G, TOUCH-LOCK4, TOUCH-TX2,  
ROUND-1G

With generic transmitters, the transmitter's control modes are:  
Short press= On/Off, Long Press= Dimmer Up/Down

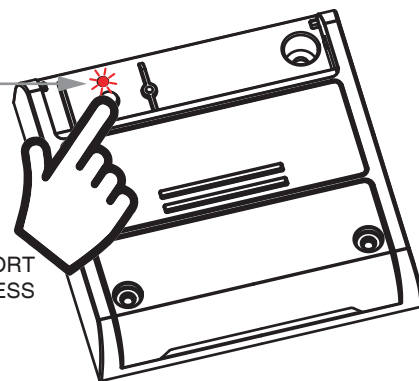
## PROCEDURE

### STEP 1

Press the button 1.  
The led turns on.

THE LED TURNS ON

MAKE A SHORT PRESS

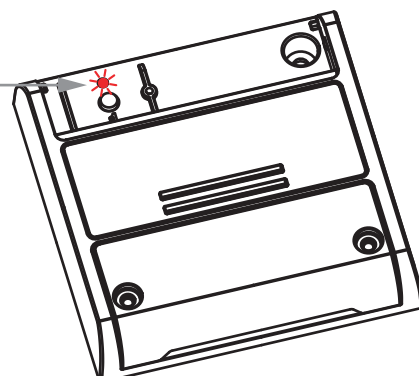
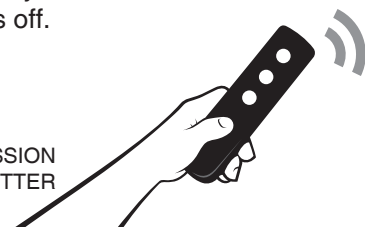


### STEP 2

Within 60 seconds make a transmission with the transmitter to be saved.  
See transmitter manual, the paragraph entitled "transmitter programming" for specify information.  
The led makes 3 flashes and turns off.

LED MAKES 3 FLASHES AND TURNS OFF

MAKE A TRANSMISSION WITH THE TRANSMITTER



# 4 - DELETION OF RADIO

These procedures let you delete from the memory transmitters that have already been programmed.

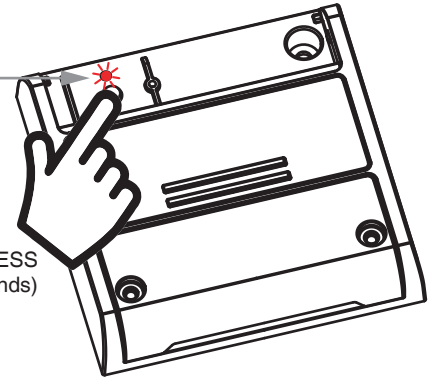
## PROCEDURE

### STEP 1

Hold the receiver button down (about 5 seconds.) until the LED begins to flash.

LED FLASEHES

PROLONGED PRESS  
(about 5 seconds)



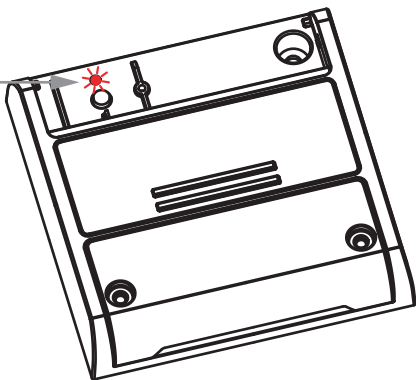
DELETION OF  
SINGLE TRANSMITTER

DELETION OF ALL  
TRANSMITTER SAVED

### STEP 2A

Within 10 seconds make a transmission with the transmitter that you want to delete. The LED flashes quickly and turns off.

THE LED STARTS  
FLASHING QUICKLY  
AND TURNS OFF



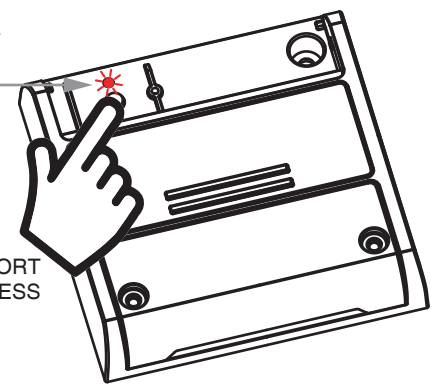
MAKE A TRANSMISSION  
WITH THE TRANSMITTER

### STEP 2B

Within 10 seconds press the button on the receiver for a short time to confirm the deletion of all transmitters. The LED starts flashing quickly and turns off.

THE LED STARTS  
FLASHING QUICKLY  
AND TURNS OFF

MAKE A SHORT  
PRESS



## 5 - SETTING THE TIMED ON

This process is used to set the time for which the Leds stays on before an automatic switch off.

NOTE: don't use this process with HB70-SLCT, HB70-SPCT and TOUCH-1SP, the controller already has a procedure to setting the automatic switch off of the light.

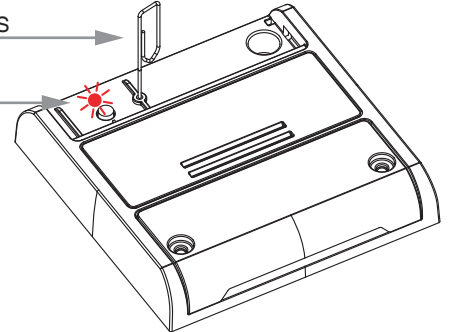
### PROCEDURE

#### STEP 1

With a paper clip makes a short press of the "hidden" button.  
The led turns on.

MAKE A SHORT PRESS

THE LED TURNS ON

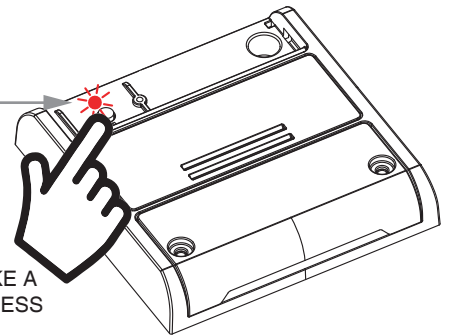


#### STEP 2

Within 10 seconds makes a short press of button 1.  
The led start to flashes.  
Each flash corresponds to a different timing.

LED START TO FLASHES

MAKE A SHORT PRESS

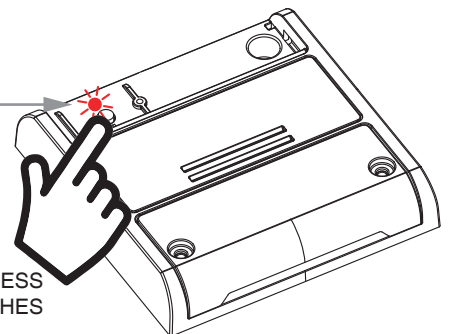


#### STEP 3

Makes a short press of button 1 while it is flashing to end the count.  
The led turns off

THE LED TURNS OFF

MAKE A SHORT PRESS DURING THE FLASHES



FLASHES	TIMED ON
1	1 minute
2	3 minutes
3	5 minutes
4	15 minutes
5	30 minutes
6	1 hour
7	18 hours
8	No timed on

## 6 - RESET OF THE CONTROL UNIT

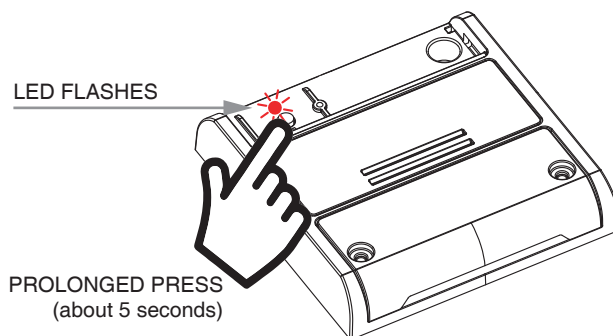
This procedure let you take the control unit back to factory settings.

NOTE: even stored transmitters will be deleted

### PROCEDURE

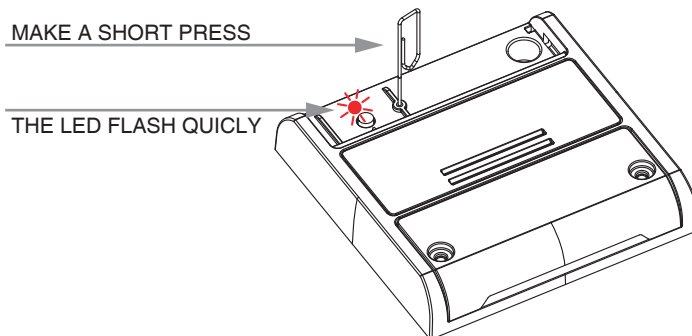
#### STEP 1

Hold the receiver button down (about 5 seconds.)  
until the LED begins to flash.



#### STEP 2

Within 10 seconds, make a short press of  
"hidden" button.  
The LED 1 flashes quickly and turns off.





MNLPLANO-V5NV1.0

**Nexta Tech**

company brand of Team srl  
via G.Oberdan 90, 33074  
Fontanafredda (PN) - Italy  
Ph. +39 0434 998682  
Email: [info@nexta-tech.com](mailto:info@nexta-tech.com)  
Web: [www.nexta-tech.com](http://www.nexta-tech.com)