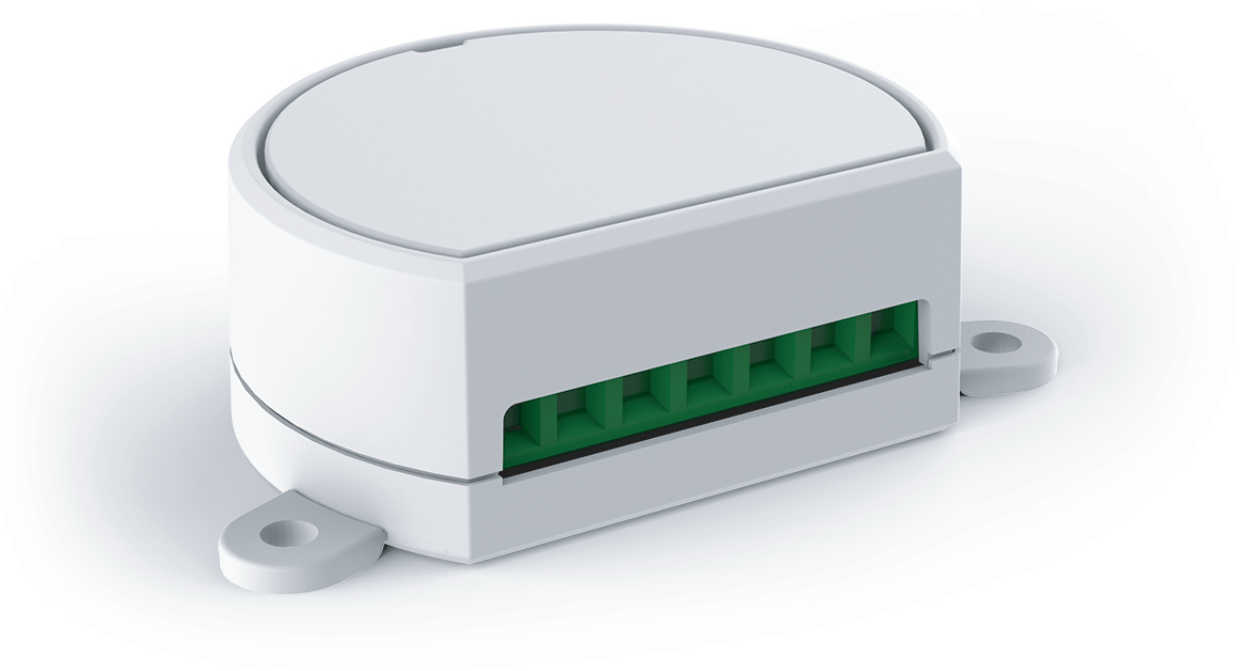


# MCU-1224

*MCU-1224 is a miniature monostable receiver with dry contact and low-voltage power supply.*

NEXTA  
T E C H



---

## INDEX

### 1 - PRODUCT FEATURES

- 1.1 - TECHNICAL DATA
- 1.2 - DESCRIPTION

### 2 - ELECTRICAL CONNECTIONS

- 2.1 - CONNECTION DIAGRAM

### 3 - USE OF THE CONTROL UNIT

- 3.1 - USE VIA RADIO

### 4 - RADIO PROGRAMMING

- 4.1 - RADIO PROGRAMMING OF MULTIFUNCTIONAL AND GENERIC TRANSMITTERS
- 4.2 - DELETION OF TRANSMITTERS

# WARNINGS

- Installation must be carried out only by qualified technicians in compliance with the electrical and safety standards in force.
- All connections must be made with the power turned off.
- Use suitable cables.
- Do not cut through the aerial (see figure 1.1b)
- A suitably sized disconnection device must be set up on the electric power line that supplies the product.
- Disposal of waste materials must fully respect local standards.

## 1 PRODUCT FEATURES

### 1.1 TECHNICAL DATA

Power supply	12-24 Vdc/ac
Outputs	1 NO (normally open) contact max 1A
Number of programmable transmitters	100
Radio frequency	433.920MHz ISM
Protection rating	IP20
Operating temperature	-20 +55 °C
Dimensions	52x43x21 mm

Fig.1.1a

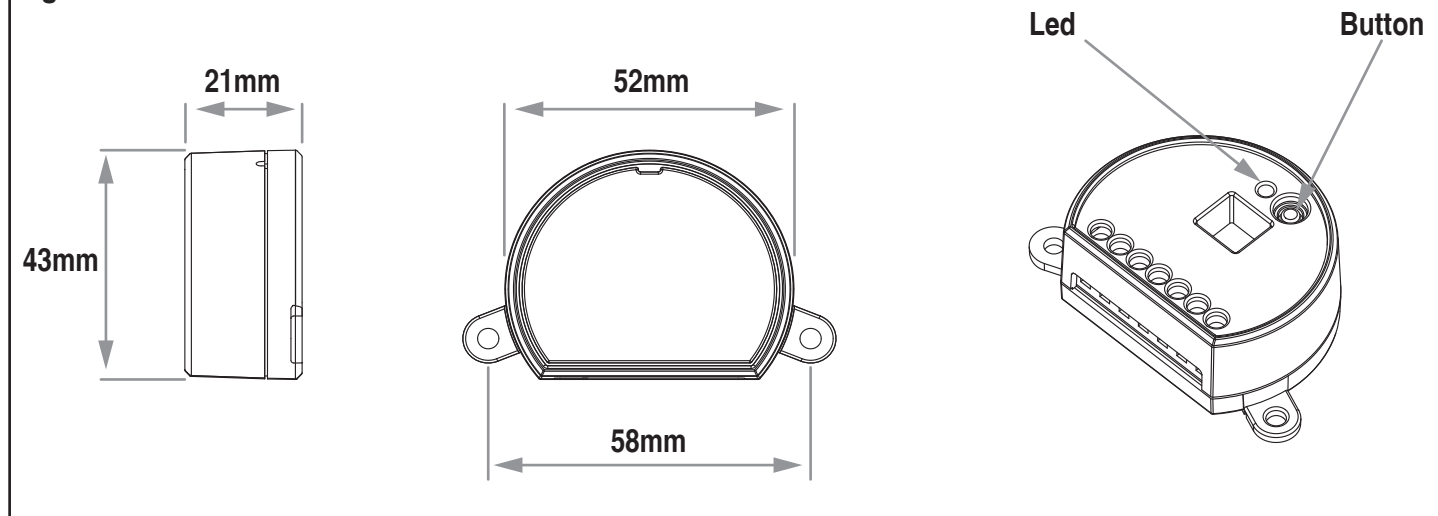


Fig.1.1b

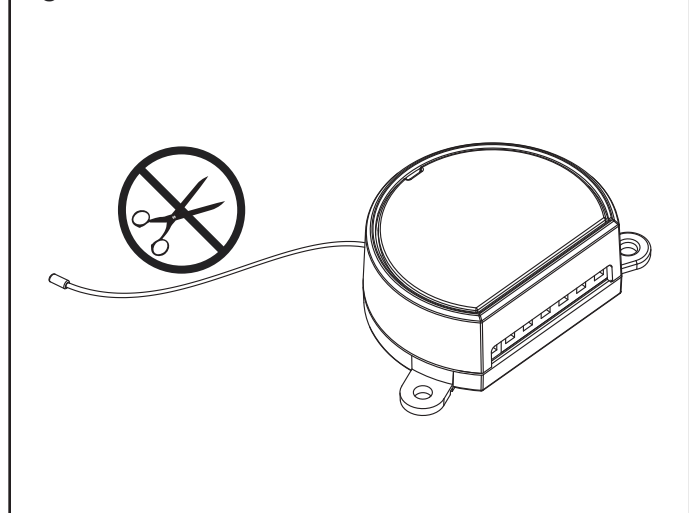
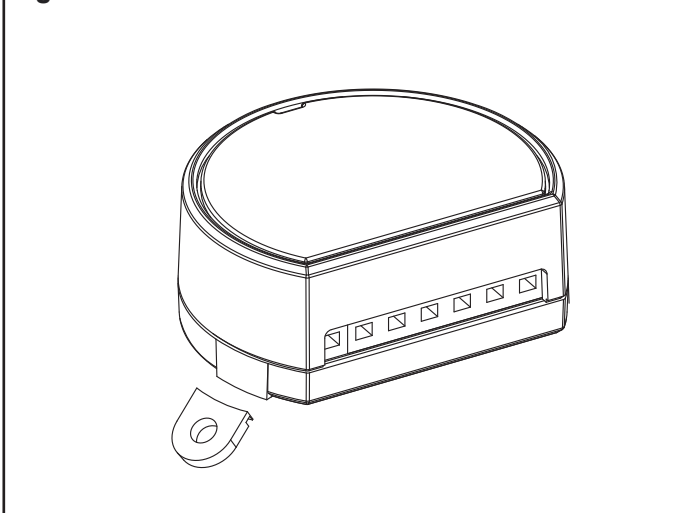


Fig.1.1c



## 1.2 DESCRIPTION

MCU-1224 is a miniature monostable receiver with dry contact and low-voltage power supply.

The ISM (industrial, scientific and medical) radio frequency band guarantees a long range, even through walls and ceilings.

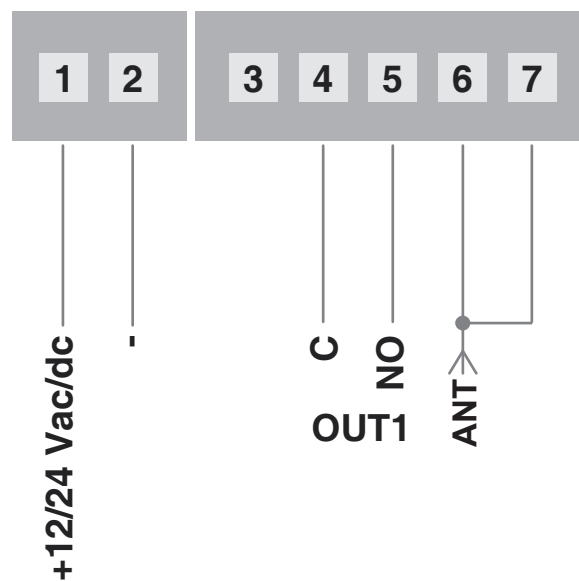
Simple programming, reduced dimensions with breakable tabs (fig. 1.1c) for fixing with screws (fig. 1.2a) or for insertion into connection boxes up to 55 mm in diameter.

---

## 2 ELECTRICAL CONNECTIONS

The following connection lets you control a potential-free contact via radio.

Fig.2.1



---

## 3 USE OF THE CONTROL UNIT

### 3.1 USE VIA RADIO

To control the loads via radio you must have compatible transmitters and therefore must carry out the association procedure, see paragraph 4.

If the transmitter is a generic one, the contact will close and reopen with each transmission.

If the transmitter is multifunctional, refer to the transmitter manual, to the paragraph entitled "commands sent by the transmitter", bearing in mind that it is an "monostable" device.

# 4 - RADIO PROGRAMMING

## 4.1 RADIO PROGRAMMING OF MULTIFUNCTIONAL AND GENERIC TRANSMITTERS

This procedure lets you programme compatible multifunctional (see table 4.1a) and generic (see table 4.1b) transmitters.

Tab. 4.1a

COMPATIBLE MULTIFUNCTIONAL TRANSMITTERS
HB70-SLCT, HB70-SPCT, HB80-1C, HB80-1DIM, HB80-2L, HB80-30D, HB80-30RGBW, HB80-4C, HB80-4DIM, HB80-4L, HB90-6LT, ROUND-1SP SENSA-M, SENSA-P, SENSA-R35M, SENSA-R35P, SENSA-R35T, SENSA-T, TOUCH-1, TOUCH-1CCT, TOUCH-1DIM, TOUCH-1SP, TOUCH-1L, TOUCH-1RGBW, TOUCH-3C, TOUCH-4DIM, TOUCH-CFU

Tab. 4.1b

COMPATIBLE GENERIC TRANSMITTERS (WIRELESS BUS)
HB80-6G, MCU-TX4, TOUCH-1G, TOUCH-2G, TOUCH-4G, TOUCH-LOCK4, TOUCH-TX2, ROUND-1G

### PROCEDURE:

- 1- Press the button on the receiver for a short time. The LED comes on and stays on.
- 2- Make a transmission with the remote control to be saved (see transmitter manual, the paragraph entitled "transmitter programming"). The LED on the receiver flashes 3 times to signal that it has been received.
- 3- The control unit listens for 30 seconds (to immediately exit the procedure pressthe button on the receiver).

## 4.2 DELETION OF TRANSMITTERS

These procedures let you delete from the memory transmitters that have already been programmed.

### DELETION OF SINGLE TRANSMITTER:

- 1- Hold the receiver button down for 8 seconds. The LED begins to flash.
- 2- Make a transmission with the transmitter that you want to delete. The LED flashes quickly and turns off.

### DELETION OF ALL THE SAVED TRANSMITTERS:

- 1- Hold the receiver button down for 8 seconds. The LED begins to flash.
- 2- Press the button on the receiver for a short time. The LED starts flashing quickly and turns off.



MNLMCU-1224ENV1.0

### Nexta Tech

company brand of Team srl  
via G.Oberdan 90, 33074  
Fontanafredda (PN) - Italy  
Ph. +39 0434 998682  
Email: info@nexta-tech.com  
Web: www.nexta-tech.com